



## RGB IP68 LED SPOTLIGHT



**PLEASE READ THESE INSTRUCTIONS CAREFULLY BEFORE INSTALLATION  
LEAVE A COPY FOR THE USER / MAINTENANCE ENGINEER FOR FUTURE REFERENCE**

### IMPORTANT INSTALLATION INFORMATION

- Installation should be carried out in accordance with the latest edition of the I.E.E. Wiring Regulations (BS7671) and taking into consideration the latest Building Regulations. If in doubt, consult a qualified electrician and/or your local authority building inspector.
- **IMPORTANT.** Ensure that ALL electrical connections are tight with no loose strands including factory made connections.
- The LEDs in this luminaire are not replaceable
- Before commencing installation or maintenance, ensure electricity is switched off at the mains
- The luminaire is designed to be permanently connected to fixed wiring.
- For use with AU-LED900RGB controller (purchased separately). Can control up to 21W of RGB lighting.
- A 24V DC LED Driver is also required (purchased separately)
- AU-LED900RPT repeater can be used to extend the number of RGB lights giving an additional 21W per repeater.
- Do not install in chlorinated areas, i.e. swimming pools.
- Do not install in saunas or steam rooms.

### IMPORTANT USER INFORMATION

- Always switch off mains supply before fitting, or moving position of the luminaire.
- There are no serviceable parts in these luminaires.
- **Caution: Do not stare directly into the luminaire in operation. May be harmful to eyes.**

### CONTROL REQUIREMENTS

The following equipment is required for use with the RGB spotlights.

- AU-LED900RGB Controller (purchased separately). Controls up to a 21W load.
- 24V DC LED Driver, i.e. AU-LED2524CV
- For installations in excess of 21W load AU-LED900RPT repeaters can be used. Each repeater will run an additional 21W load. Multiple repeaters can be added. Each repeater will also require a 24V DC LED Driver.

### GENERAL INSTALLATION - SAFETY

When positioning your luminaire, please take note that outdoor electrical installations should be installed by qualified electricians. Proper circuit protection for all exterior electrical services should include a residual current device (RCD), also known as an earth leakage circuit breaker (ELCB). This simple device ensures that the power is cut off immediately; it detects a leakage of current to earth, which indicates an electrical fault which is potentially threatening to life. Observe these few simple rules and keep your outdoor electrical installation safe.

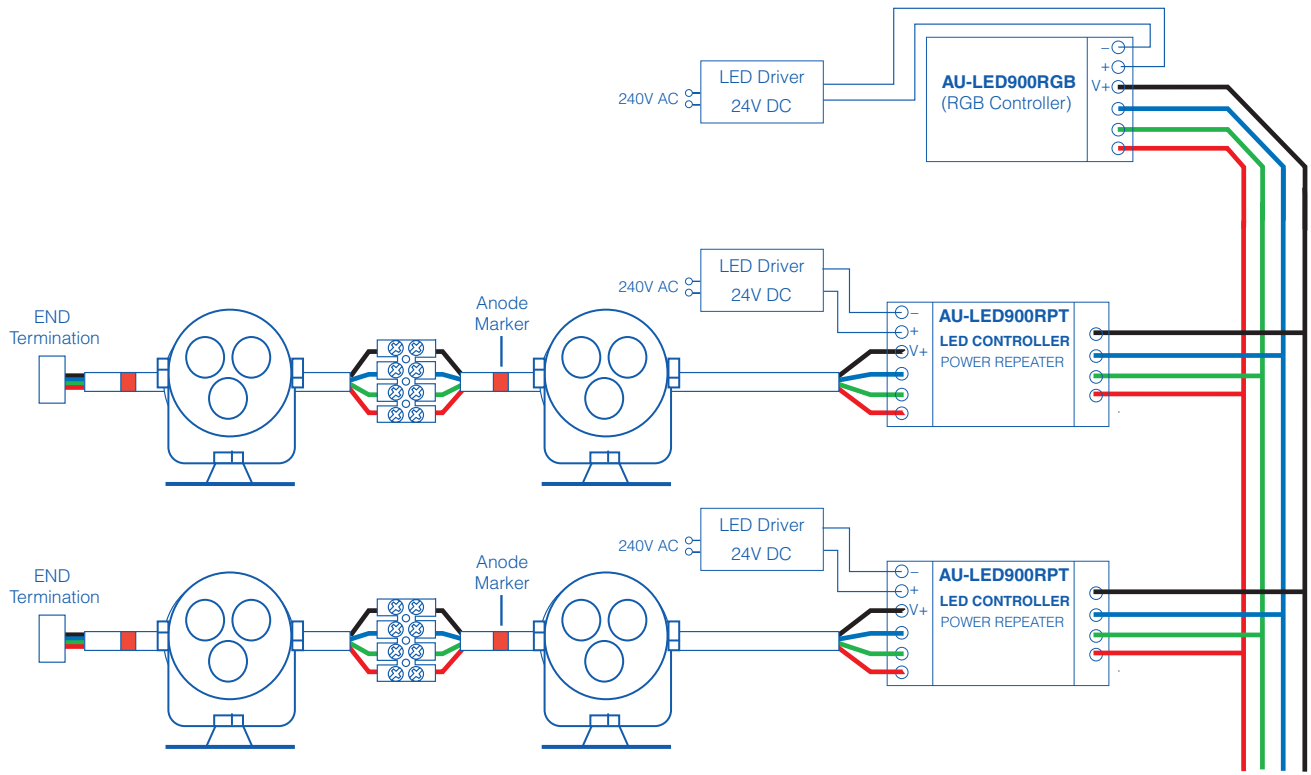
### GENERAL INSTALLATION – LAYING CABLE

Laying electrical cables in the ground may be subject to specific regulations. The aim is to ensure that the cables are buried deeply enough in the ground to avoid any disturbance which is likely to occur. Where armoured cables can be buried at adequate depth to avoid being damaged by any reasonable foreseeable disturbance of the ground, they can be laid in a buffer layer of sand and covered with cable warning tape. Where it is not possible to bury the cables deeply enough because of the presence of tree roots or unsuitable ground conditions, extra mechanical protection around the cables will be required. This is usually in the form of plastic ducts or conduits through which the cables are run.

### INSTALLATION INSTRUCTIONS

1. **IMPORTANT.** Always switch off the electricity supply at the mains during installation and maintenance. We recommend that the fuse is withdrawn or circuit breaker switched off at the distribution board whilst work is in progress (turning off the light switch is not sufficient). Add a very clear note to the consumer unit or distribution board stating that you are working on the circuit.
2. See the instructions supplied with the LED Driver for installation details.
3. See the instructions provided with AU-LED900RGB Controller for installation and setup and programming.

4. A 240V mains supply is required to each of the 24V DC LED drivers.
5. A suitable 4-core cable is required from the AU-LED900RGB to the first spotlight or AU-LED900RPT repeater and also for any cable runs between spotlights.
6. Select the required position for the spotlight.
7. See Diagram 1 for connection details. Note: For small installations of 21W or less AU-LED900RPT Repeaters are not required and the spotlights can be connected directly to the AU-LED900RGB Controller.
8. All joints must be correctly IP rated to suit location and environmental conditions.
9. AU-LED900RGB and AU-LED900RPT are not IP rated and must be installed indoors or in a suitable IP rated enclosure.
10. At the end of each run the 4 cores of the final markerlight must be connected together, see Diagram 1.



**Environmental Protection (W.E.E.E.) – Aurora’s WEEE Reg.No. WEE/BG0130YX**



Waste Electrical & Electronic Equipment Regulations (WEEE) requires that any of our products showing this marking (left) must not be disposed of with other household or commercial waste. Aurora does not levy any WEEE disposal charges to its customers for affected WEEE related products. To prevent possible harm to the environment or human health from uncontrolled waste disposal, please separate any such product from other waste types and recycle it responsibly at your local facilities. Check with your Local Authority, Recycling Centre or retailer for recycling advice. If, when you purchased any Aurora product, your supplier included a WEEE disposal fee, you should then contact your supplier for advice on his takeback of the product for the correct disposal.

**GUARANTEE**

5 years for Stainless Steel 316 products

See our website [www.aurora.eu.com](http://www.aurora.eu.com) for further details. Products are guaranteed from the date of purchase. The guarantee is invalid in the case of improper use, installation, tampering, removal of the Q.C. date label, installation in an improper working environment or installation not according to the current edition of the I.E.E. Wiring Regulations (BS7671). Should this product fail during the guarantee period it will be replaced free of charge, subject to correct installation and return of the faulty unit. Aurora does not accept responsibility for any installation costs associated with the replacement of this product. Your statutory rights are not affected. Aurora reserves the right to alter specifications without prior notice.